

TECHNICAL SPECIFICATIONS

KDS 3636

MODEL NUMBER 142024

DIMENSIONS: 35 7/8" x 36" x 76" Gelcoat



STANDARD FEATURES

- Four-piece gelcoated fiberglass shower with PIN system for easy front installation
- Large top corner shelves, footrests and standard acrylic handle (opt. metallic finishes)
- Optional unique features: Reinforced walls and grab bars
- Product also available in Above-the-Floor Rough
- Textured floor
- Center drain

UNIQUE FEATURES

- PIN system

OPTIONS

- Shower base only KDS 3636 with pin system
- Side walls (right and left) for KDS 3232 and KDS 3636
- 142063 - Back wall for KDS 3636
- Wall reinforcement (one wall)
- 18" Modern straight grab bar
- 24" Modern straight grab bar

SYSTEMS

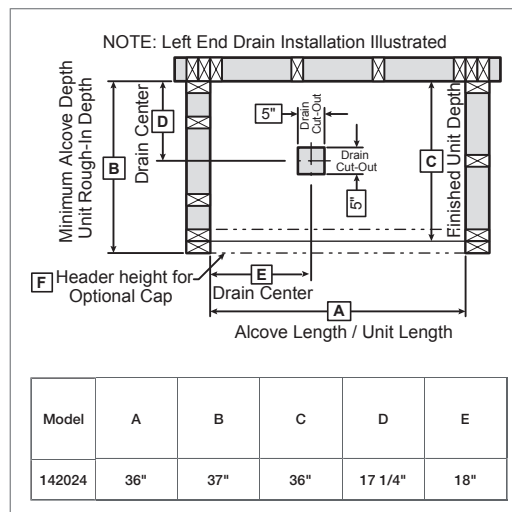
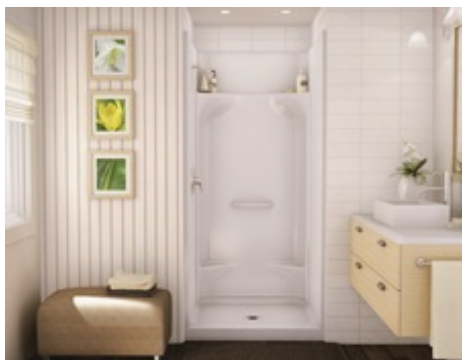
- None

DOOR SELECTION

Combine with AKER's complete shower door offering visit www.akerbymax.com

CERTIFICATIONS

AKER products adhere to one or more of the following certifications:



Project :

Contractor :

AKER Representative : Tel :

Date :

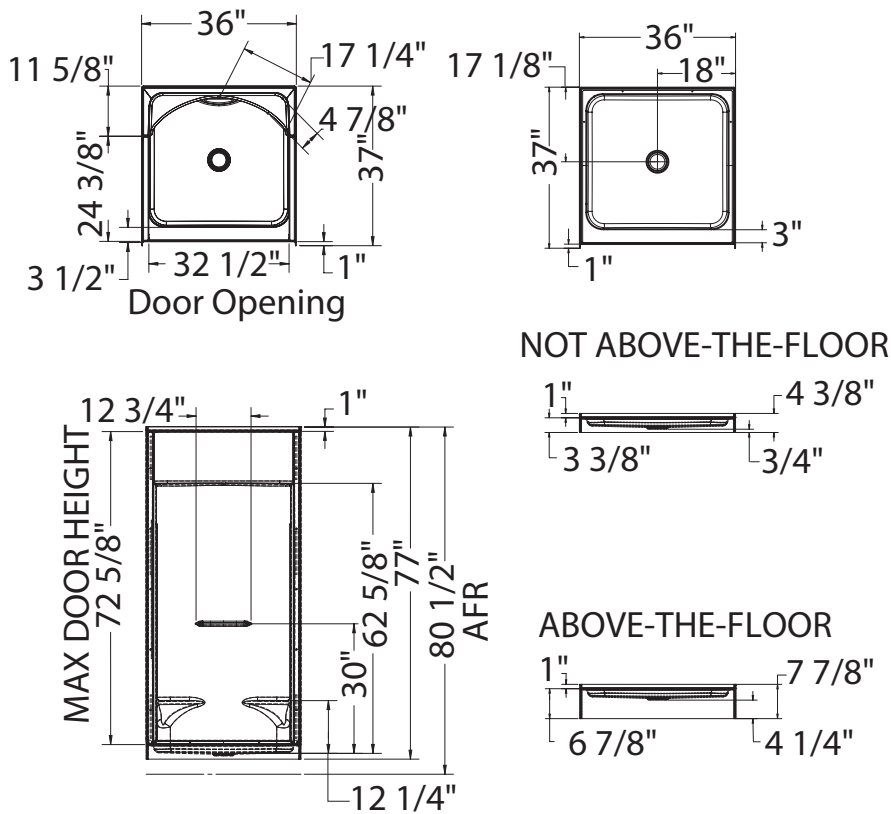
TECHNICAL SPECIFICATIONS

KDS 3636

MODEL NUMBER 142024

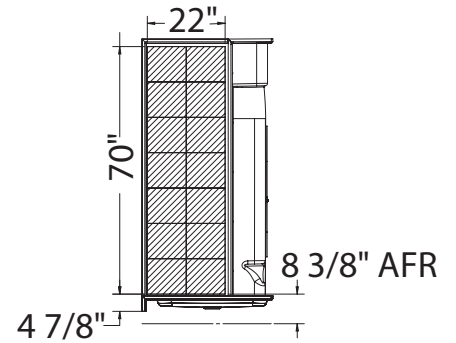
TECHNICAL DRAWINGS

STANDARD

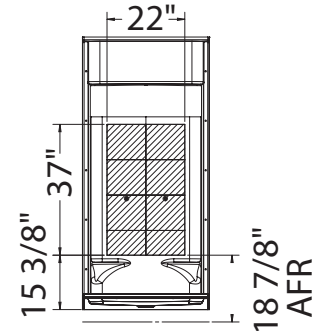


REINFORCEMENT BACKING

OPTION 20212-L Shown
OPTION 20212-R Symmetrical



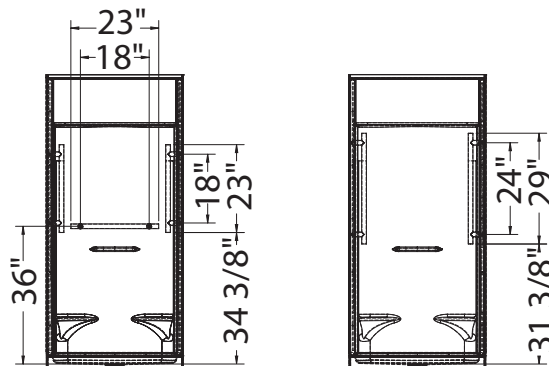
OPTION 20212-B



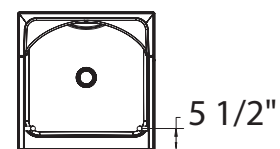
GRAB BARS

OPTION 20203

OPTION 20204



OPTION 20203-20204



All dimensions are approximate. Structure measurements must be verified against the unit to ensure proper fit.