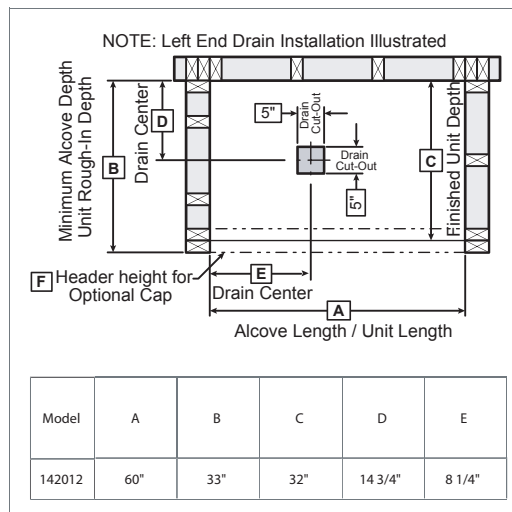


# TECHNICAL SPECIFICATIONS

## KDTS 3260

**MODEL NUMBER 142012**

DIMENSIONS: 59 7/8" x 32" x 79 1/4" Gelcoat



### STANDARD FEATURES

- Four-piece gelcoated fiberglass tub-shower with PIN system for easy front installation
- Large top corner shelves, wide soap dish and standard acrylic handle (opt. metallic finishes)
- Bottom bathing well: 44 1/8 inch L x 21 5/8 inch W
- Optional unique features:  
Reinforced walls and grab bars
- Product also available in Above-the-Floor Rough (AFR)
- Right or left-hand drain
- Textured floor
- 14 3/8 inch deep sump

### UNIQUE FEATURES

- PIN system

### OPTIONS

- Shower base only KDTS 3260 with pin system
- Side walls (right and left) for KDTS 3260
- Back wall for KDTS 3060, KDTS 3260, KDS 3060 and KDS 3460
- Wall reinforcement (one wall)
- In-line heater (factory-installed)
- Pump position opposite standard position

### SYSTEMS

Homestead **DOOR**

### SELECTION CERTIFICATIONS

Order with AKER's complete shower door offering: visit [www.akerbymax.com](http://www.akerbymax.com)



Project : .....

Contractor : .....

AKER Representative : ..... Tel : .....

Date : .....

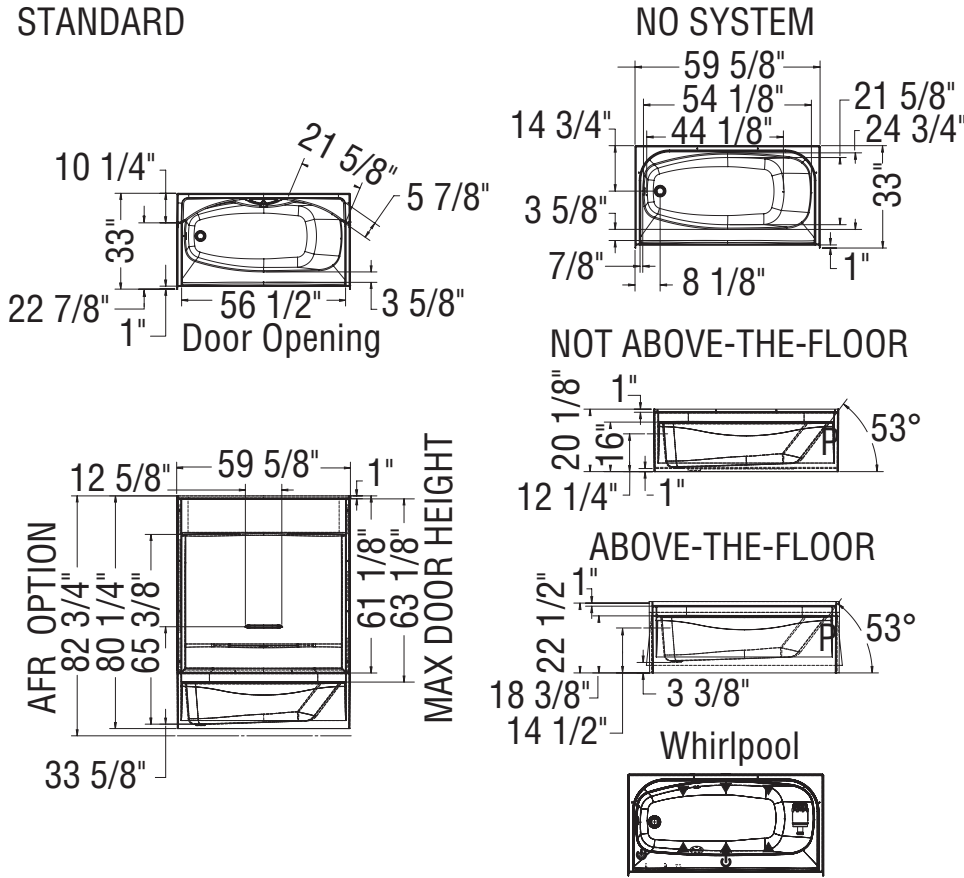
# TECHNICAL SPECIFICATIONS

## KDTS 3260

MODEL NUMBER 142012

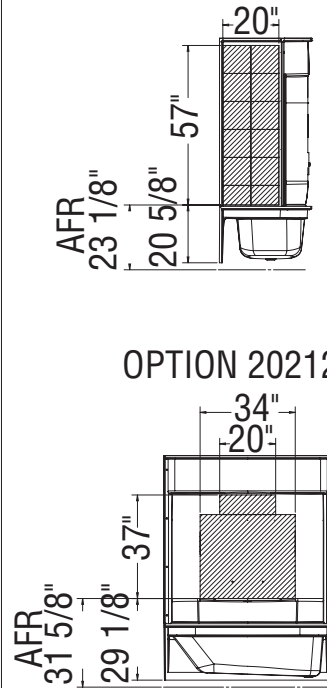
### TECHNICAL DRAWINGS

#### STANDARD

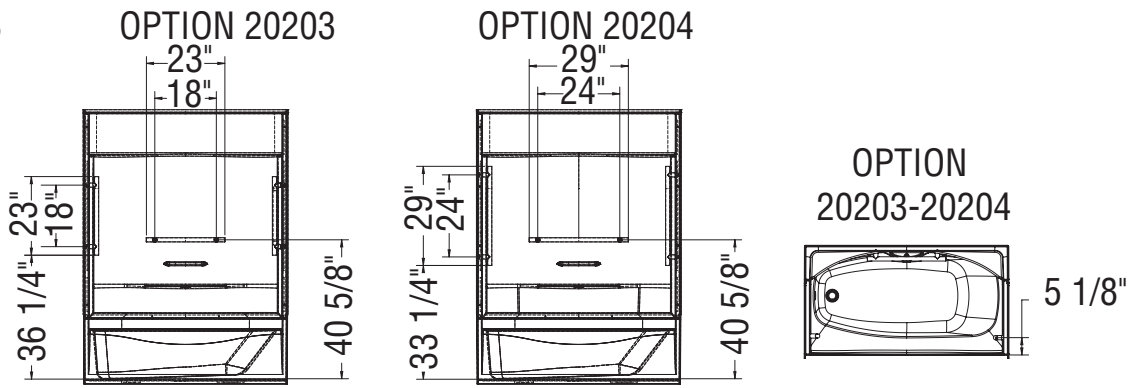


#### REINFORCEMENT BACKING

OPTION 20212-L Shown  
OPTION 20212-R Symetrical



#### GRAB BARS



( ▲ ): Indicates Whirlpool jets positioning

( △ ): Indicates suction positioning

All dimensions are approximate. Structure measurements must be verified against the unit to ensure proper fit.