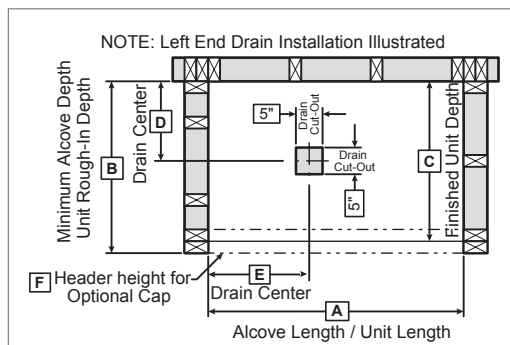
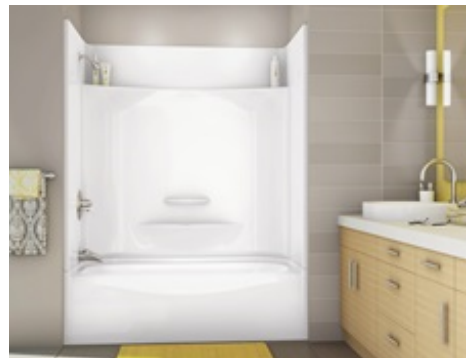


# TECHNICAL SPECIFICATIONS

## KDTS 3060

**MODEL NUMBER 142006**

DIMENSIONS: 59 7/8" x 30 1/8" x 77 1/2" Gelcoat



Model	A	B	C	D	E
142006	60"	31"	30"	14 5/8"	8 1/8"

### STANDARD FEATURES

- Four-piece gelcoated fiberglass tub-shower with PIN system for easy front installation
- Large top corner shelves, wide soap dish and standard acrylic handle (opt. metallic finishes)
- Bottom bathing well: 44 1/8 inch L x 20 inch W
- Optional unique features:  
Reinforced walls and grab bars
- Product also available in Above-the-Floor Rough (AFR)
- Right or left-hand drain
- Textured floor
- 14 3/8 inch deep sump

### UNIQUE FEATURES

- PIN system

### OPTIONS

- Shower base only KDTS 3060 with pin system
- Side walls (right and left) for KDTS 2954, KDTS 3060 and KDS 3060
- Back wall for KDTS 3060, KDTS 3260, KDS 3060 and KDS 3460
- Wall reinforcement (one wall)
- In-line heater (factory-installed)
- Pump position opposite standard position

### SYSTEMS

Homestead **DOOR**  
**CERTIFICATIONS**  
SELECTION  
AKER products adhere to one or more of  
Certification Agencies complete  
shower door offering VISIT  
www.akerbymaax.com

Project : .....

Contractor : .....

AKER Representative : ..... Tel : .....

Date : .....

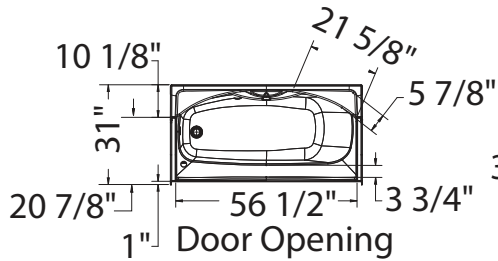
# TECHNICAL SPECIFICATIONS

## KDTS 3060

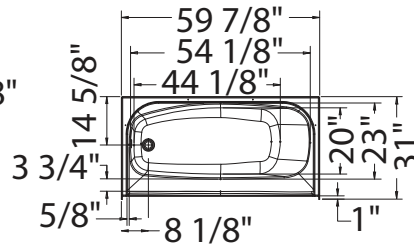
MODEL NUMBER 142006

### TECHNICAL DRAWINGS

#### STANDARD

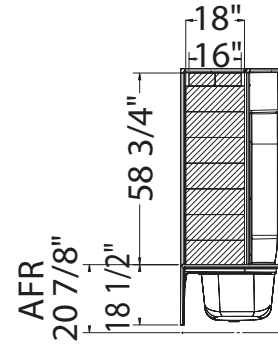


#### NO SYSTEM

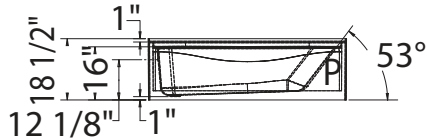


#### REINFORCEMENT BACKING

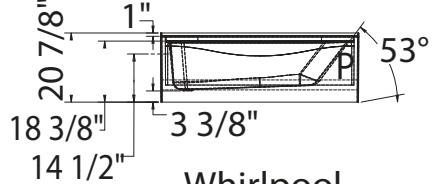
OPTION 20212-L Shown  
OPTION 20212-R Symetrical



#### NOT ABOVE-THE-FLOOR



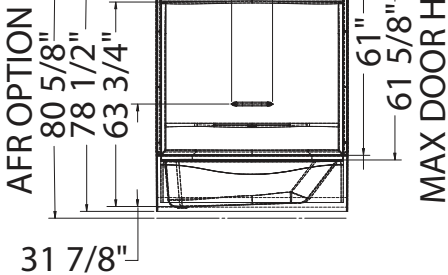
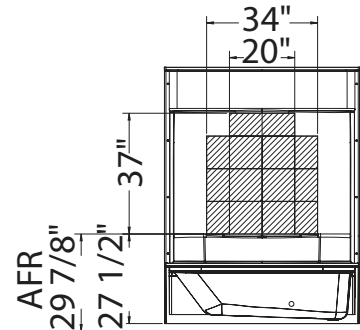
#### ABOVE-THE-FLOOR



#### Whirlpool

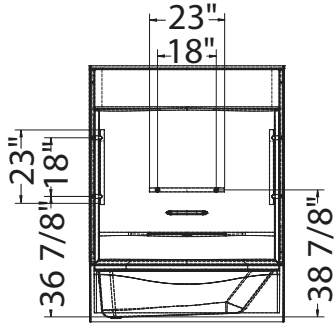


#### OPTION 20212-B

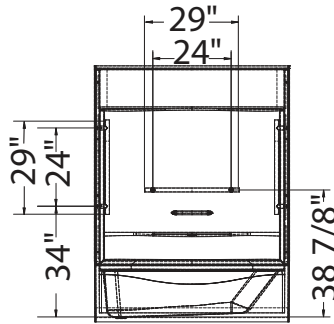


#### GRAB BARS

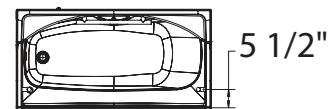
#### OPTION 20203



#### OPTION 20204



#### OPTION 20203-20204



( ▲ ): Indicates Whirlpool jets positioning  
( △ ): Indicates suction positioning

All dimensions are approximate. Structure measurements must be verified against the unit to ensure proper fit.