

TECHNICAL SPECIFICATIONS

S-36

MODEL NUMBER 141022

DIMENSIONS: 36" x 36" x 72" Gelcoat



STANDARD FEATURES

- One-piece gelcoated fiberglass shower with optional roofcap
- Built-in corner shelves
- Center drain
- Textured floor
- Optional unique features: above-the-floor rough
- Reinforced walls

UNIQUE FEATURES

- Above-the-Floor Rough (AFR)

OPTIONS

- Gelcoated fiberglass cap
- Light for roofcap (factory-drilled hole)
- All walls reinforced
- Lifter for Pivolok Doors
- Wall reinforcement (one wall)

SYSTEMS

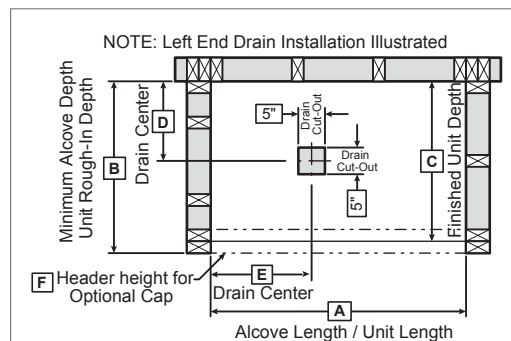
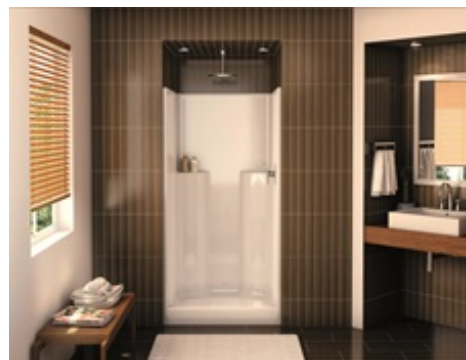
- None

DOOR SELECTION

Combine with AKER's complete shower door offering visit www.akerbymax.com

CERTIFICATIONS

AKER products adhere to one or more of the following certifications:



Model	A	B	C	D	E
141022	36"	37 1/2"	36"	18"	18"

Project :

Contractor :

AKER Representative : Tel :

Date :

TECHNICAL SPECIFICATIONS

S-36

MODEL NUMBER 141022

TECHNICAL DRAWINGS

With reinforcement

