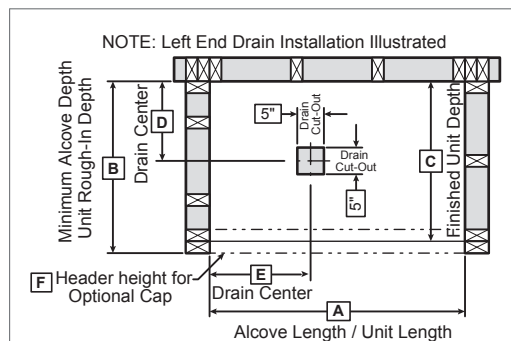


TECHNICAL SPECIFICATIONS

KDS 3460

MODEL NUMBER 142042

DIMENSIONS: 59 3/4" x 33 1/2" x 80 1/8" Gelcoat



Model	No Seat					Seat
	A	B	C	D	E	D
142042	60"	34 1/2"	33 1/2"	30"	14 1/8"	8 5/8"

STANDARD FEATURES

- Four-piece gelcoated fiberglass shower with PIN system for easy front installation
- Large top corner shelves, wide soap dish and standard acrylic handle (opt. metallic finishes)
- Right/left-hand seat (drain opposite to seat) or no seat (center drain)
- Optional unique features: Reinforced walls and grab bars
- Product also available in Above-the-Floor Rough
- Textured floor

UNIQUE FEATURES

- PIN system

OPTIONS

- Shower base only KDS 3460 with pin system
- Side walls (right and left) for KDS 3448 & 3460
- Back wall for KDTS 3060, KDTS 3260, KDS 3060 and KDS 3460
- Wall reinforcement (one wall)
- Pre-assembled unit
- 18" Modern straight grab bar

SYSTEMS

- None

DOOR SELECTION

Combine with AKER's complete shower door offering visit

CERTIFICATIONS

AKER products adhere to one or more of the following certifications:



Project :

Contractor :

AKER Representative : Tel :

Date :

TECHNICAL SPECIFICATIONS

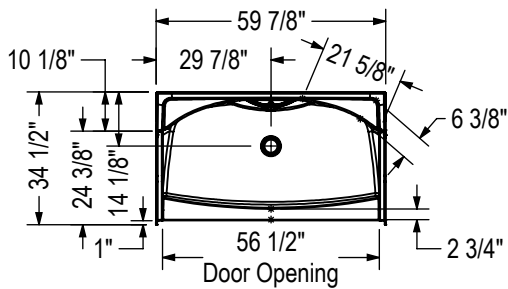
KDS 3460

MODEL NUMBER 142042

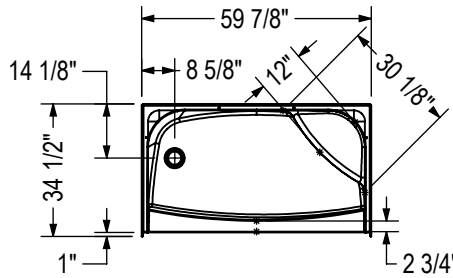
TECHNICAL DRAWINGS

STANDARD

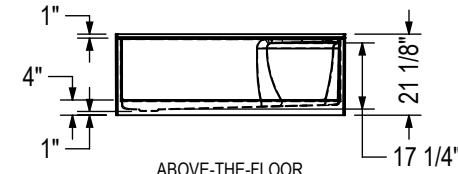
NO SEAT



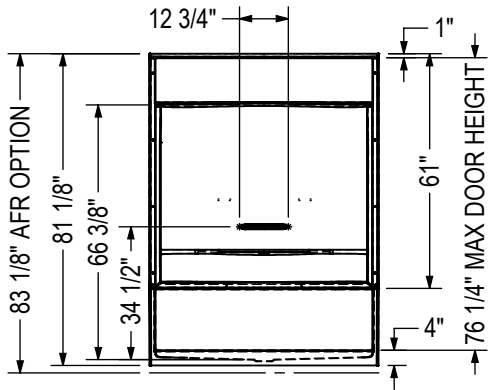
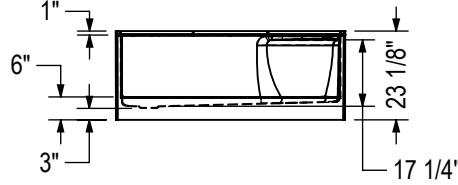
RIGHT SEAT SHOWN
LEFT SEAT SYMMETRICAL



NOT ABOVE-THE-FLOOR

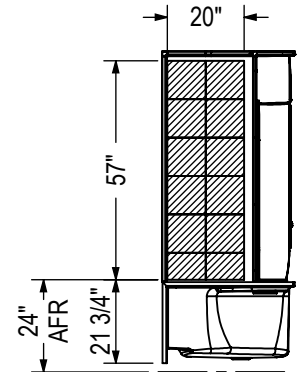


ABOVE-THE-FLOOR

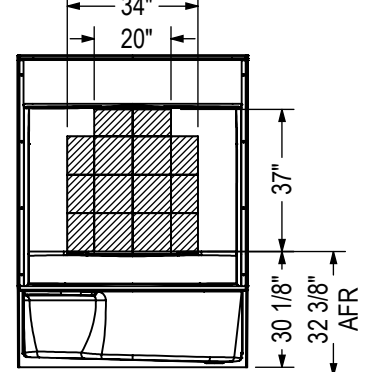


REINFORCEMENT BACKING

OPTION 20212-L Shown
OPTION 20212-R Symmetrical

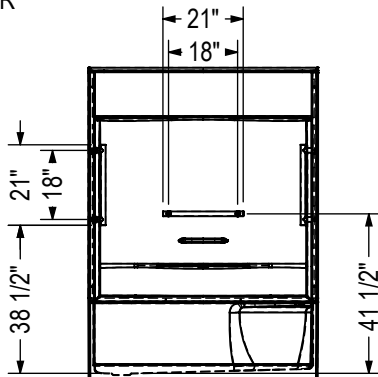


OPTION 20212-B

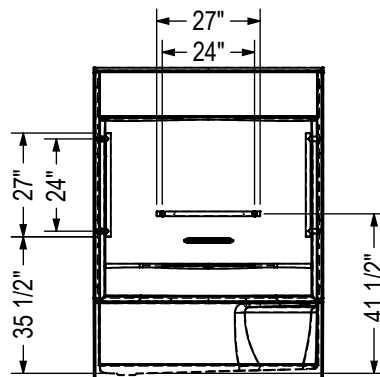


GRAB BAR

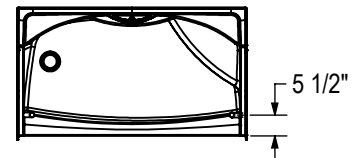
OPTION 20203



OPTION 20204



OPTION
20203-20204



All dimensions are approximate. Structure measurements must be verified against the unit to ensure proper fit.