

TECHNICAL SPECIFICATIONS



S-32

MODEL NUMBER 141021

DIMENSIONS: 32" x 32" x 72" Gelcoat



STANDARD FEATURES

- One-piece gelcoated fiberglass shower
- Built-in corner shelves
- Center drain
- Textured floor

UNIQUE FEATURES

- None

OPTIONS

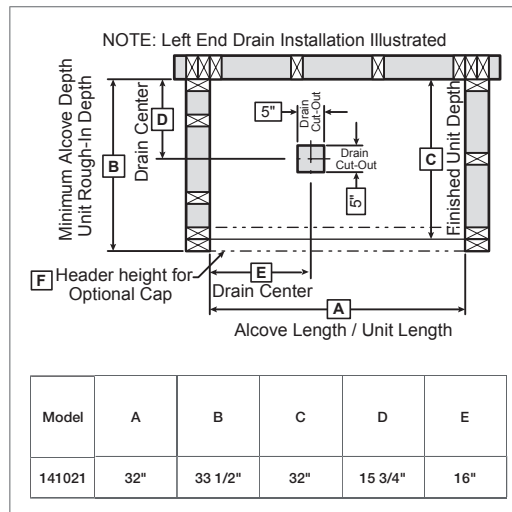
- Lifter for Pivolok Doors

SYSTEMS

- None

DOOR SELECTION

Combine with AKER's complete shower door offering visit www.akerbymaax.com



Project :

Contractor :

AKER Representative : Tel :

Date :

CERTIFICATIONS

AKER products adhere to one or more of the following certifications:

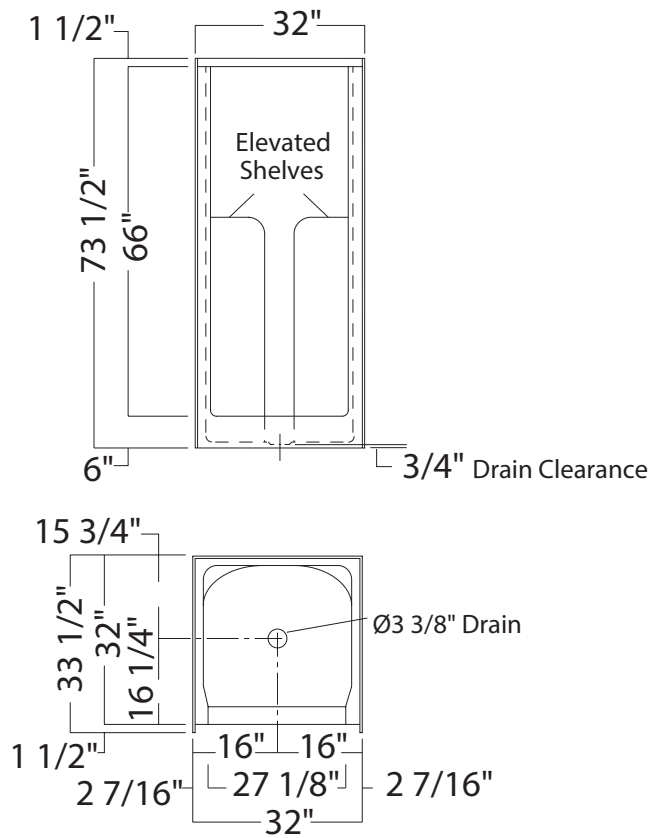


TECHNICAL SPECIFICATIONS

S-32

MODEL NUMBER 141021

TECHNICAL DRAWINGS



All dimensions are approximate. Structure measurements must be verified against the unit to ensure proper fit.