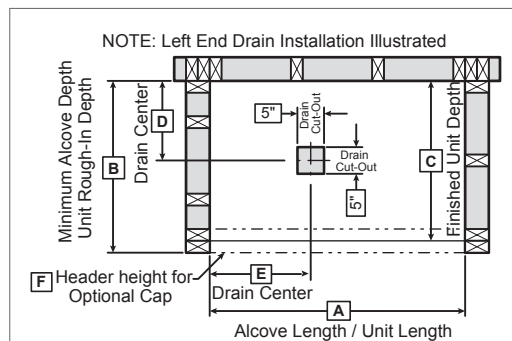


TECHNICAL SPECIFICATIONS

KDS 3448

MODEL NUMBER 142030

DIMENSIONS: 47 7/8" x 33 5/8" x 80 1/8" Gelcoat



Model	No Seat					Seat
	A	B	C	D	E	D
142030	48"	34 1/2"	33 1/2"	14 1/8"	24"	24"

STANDARD FEATURES

- Four-piece gelcoated fiberglass shower with PIN system for easy front installation
- Large top corner shelves, wide soap dish and standard acrylic handle (opt. metallic finishes)
- Optional unique features: Reinforced walls and grab bars
- Product also available in Above-the-Floor Rough
- Right/left-hand seat or no seat
- Center drain
- Textured floor

UNIQUE FEATURES

- PIN system

OPTIONS

- Shower base only KDS 3448 with pin system
- Side walls (right and left) for KDS 3448 & 3460
- Back wall for KDS 3448
- Wall reinforcement (one wall)
- 18" Modern straight grab bar
- 24" Modern straight grab bar

SYSTEMS

- None

DOOR SELECTION

Combine with AKER's complete shower door offering visit www.akerbymax.com

CERTIFICATIONS

AKER products adhere to one or more of the following certifications:



Project :

Contractor :

AKER Representative : Tel :

Date :

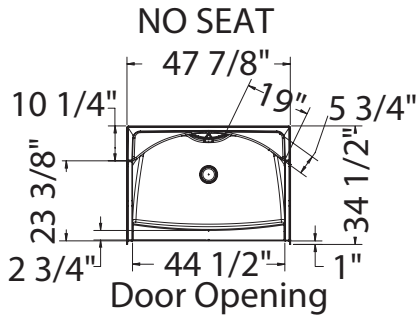
TECHNICAL SPECIFICATIONS

KDS 3448

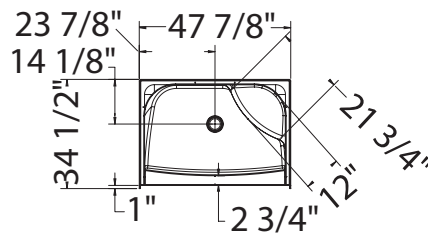
MODEL NUMBER 142030

TECHNICAL DRAWINGS

STANDARD

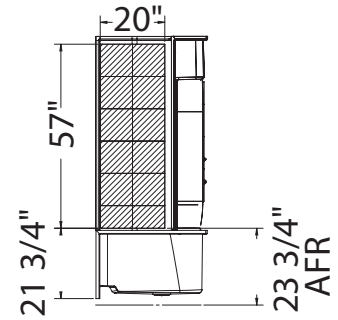


RIGHT SEAT SHOWN LEFT SEAT SYMMETRICAL

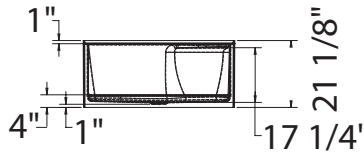


REINFORCEMENT BACKING

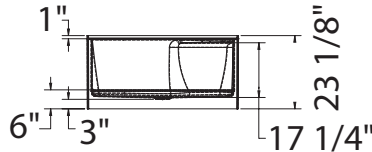
OPTION 20212-L Shown
OPTION 20212-R Symetrical



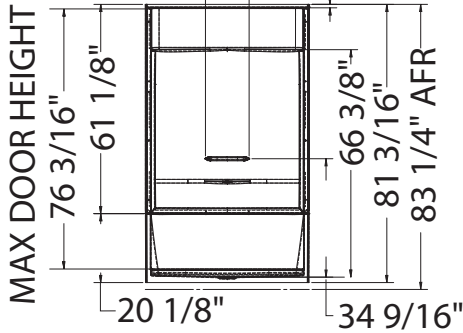
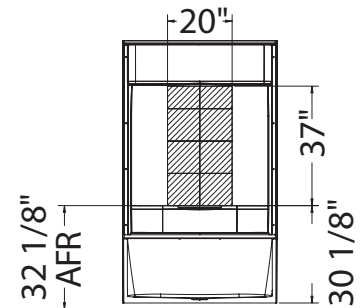
NOT ABOVE-THE-FLOOR



ABOVE-THE-FLOOR

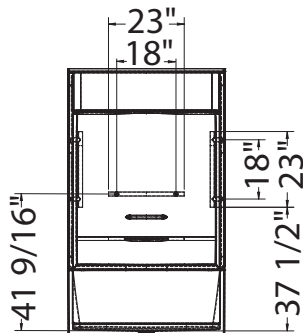


OPTION 20212-B

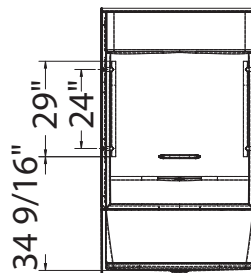


GRAB BARS

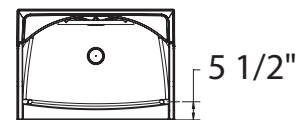
OPTION 20203



OPTION 20204



OPTION 20203-20204



All dimensions are approximate. Structure measurements must be verified against the unit to ensure proper fit.